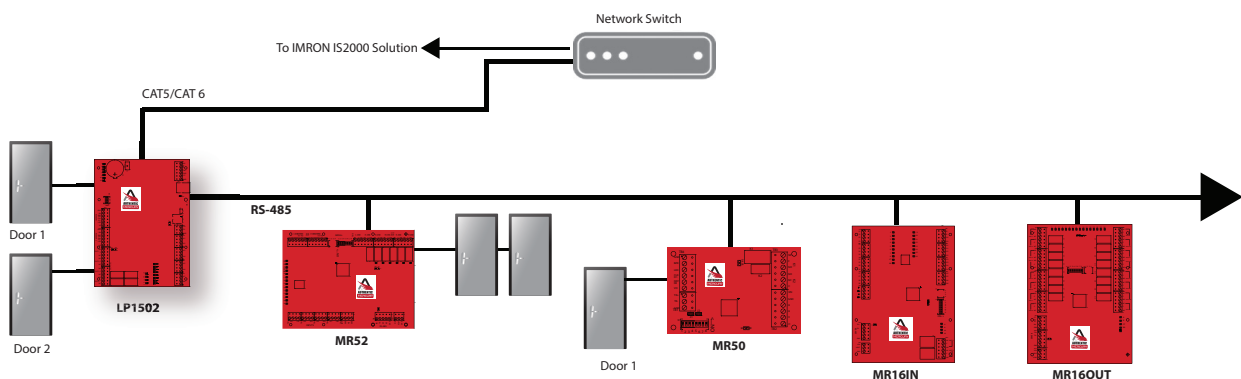




Specifications	
<b>Access Control</b>	240,000 cardholder capacity 50,000 transaction buffer Supports total of 1 RS-485 IO protocols 255 access levels per cardholder Cardholder - 19 Digit (64 Bit) User ID with 15 digit PIN MAX Activation/Deactivation If/Then macro capabilities Anti-passback support Nested, area, hard, soft and timed forgiveness Adjustable cardholder capacity Supports up to 520 inputs and 516 outputs
<b>Door Control</b>	Natively supports for up to 4 readers and 2 openings. Expands to support up to 64 readers and openings
General	
<b>Primary Power</b>	12 to 24 Vdc $\pm$ 10 %, 500 mA maximum (reader and USB ports not included)
<b>Reader Port</b>	600 mA maximum (add 600 mA to primary power current)
<b>Micro USB Port</b>	5 Vdc, 500 mA maximum (add 270 mA to primary power current)
<b>Battery</b>	<b>Memory/ Clock Backup:</b> 3 Volt Lithium, type BR2330 or CR2330
<b>microSD Card</b>	microSD or microSDHC; 2GB to 8GB
<b>Host Comm.</b>	Ethernet: 10-BaseT/100Base-TX and USB port (2.0) with optional adapter: pluggable model USB2-OTGE100
<b>Serial I/O Device</b>	2-wire RS-485, 2,400 to 115,200 bps, asynchronous, half-duplex, 1 start bit, 8 data bits, and 1 stop bit
<b>Inputs</b>	Eight unsupervised/supervised, standard EOL: 1k/1k ohm, 1%, ¼ watt. Two unsupervised dedicated for cabinet tamper and UPS fault monitoring
<b>Output Relays</b>	Four relays, Form C, NO 5 A @ 30 Vdc resistive, NC 3 A @ 30 Vdc resistive
Reader Interface	
<b>Reader Power</b>	12-24 Vdc $\pm$ 10 % regulated, 300 mA maximum each reader
<b>Data Inputs</b>	TTL compatible, F/2F or 2-wire RS-485
<b>RS-485 Mode</b>	9,600 to 115,200 bps, asynchronous, half-duplex, 1 start bit, 8 data bits, and 1 stop bit. Maximum cable length: 2000 ft. (609.6 m)
<b>LED Output</b>	TTL levels, high>3 V, low<0.5 V, 5 mA source/sink maximum
<b>Buzzer Output</b>	Open collector, 12 Vdc open circuit maximum, 40 mA sink maximum

Specifications	
Cable Requirements	
<b>Power and Relays</b>	1 twisted pair, 18 to 16 AWG
<b>Ethernet</b>	CAT-5, minimum
<b>Reader TTL</b>	6-conductor, 18 AWG, 500 feet (150 m) maximum
<b>Reader F/2F</b>	4-conductor, 18 AWG, 500 feet (150 m) maximum
<b>Reader RS-485</b>	1 twisted pair, shielded, 120 ohm impedance, 24 AWG, 2,000 ft. (610 m) max.
<b>I/O Devices</b>	1 twisted pair with drain wire and shield, 120 ohm impedance, 24 AWG, 4,000 ft. (1,219 m) maximum
<b>Alarm Input</b>	1 twisted pair, 30 ohms maximum
Environmental	
<b>Temperature</b>	-55 to +85 °C, storage, 0 to +70 °C, operating
<b>Humidity</b>	5 to 95% RHNC
Mechanical	
<b>Dimensions</b>	8 in. (203.2 mm) W x 6 in. (152.4 mm) L x 1 in. (25 mm) H
<b>Weight</b>	9 oz. (255 g) nominal, board only
Compliance and Warranty	
<b>Product Compliance</b>	UL294 Recognized, FCC Part 15 Class A, CE Compliant, RoHS, NIST Certified Encryption
<b>Warranty</b>	Mercury Security warrants the product is free from defects in material and workmanship under normal use and service with proper maintenance for one year from the date of factory shipment.



The Authentic Mercury open platform delivers quality assurance derived from the most proven and reliable hardware in the industry. Driven by our engineering excellence and technology leadership, Authentic Mercury hardware is designed as an access control platform that easily encompasses emerging technologies, changing industry standards and evolving system environments. Make yours Authentic, Make sure its Merc.