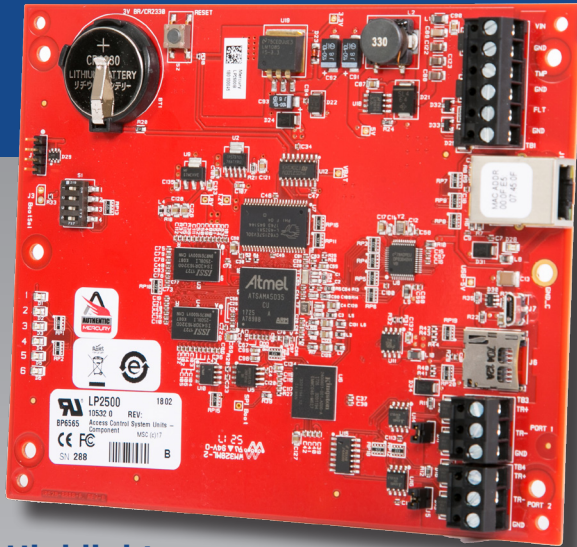


LP Series

2500

Master Intelligent Controller
(No Onboard I/O)



Highlights:

Third Party Integration Supported

- Wireless Locks
- Power Supply Alerts and Events

Security and Network

- IPv4/v6
- Host communications protected by TLS 1.2/1.1 or AES-256/128
- Controller/IO Expansion connection protected by AES
- Generate and load custom peer certificates for TLS
- Port based network access control using 802.1X
- FIPS 140-2 user of OpenSSL

Database Functions

- Encrypted database with configurable sizing
- Supports up to 19 digital card numbers
- Supports pin codes up to 15 digits
- Up to 255 access levels per cardholder
- Card issue code (up to 32 bits), ADA and VIP flags; PIV (75 bits); Smart Card (200 bits)

- **Open Architecture:** High performance, reliable platform
- **Enhanced Security:** Embedded crypto memory chip and data at rest encryption provides secured layer of protection of sensitive data
- **Versatile Interoperability:** Same reliable interface and identical footprint as the EP controllers, enabling seamless upgrades for existing deployments

The IMRON LP Series Intelligent Controllers are IMRON's next generation advanced access control platform that runs on embedded Linux. The enhanced platform offers an improved processor and increased memory, plus features an embedded crypto memory chip that provides a secured layer of encryption to onboard sensitive data. Built on the Authentic Mercury open platform, LP Series controllers provide many controller configurations.

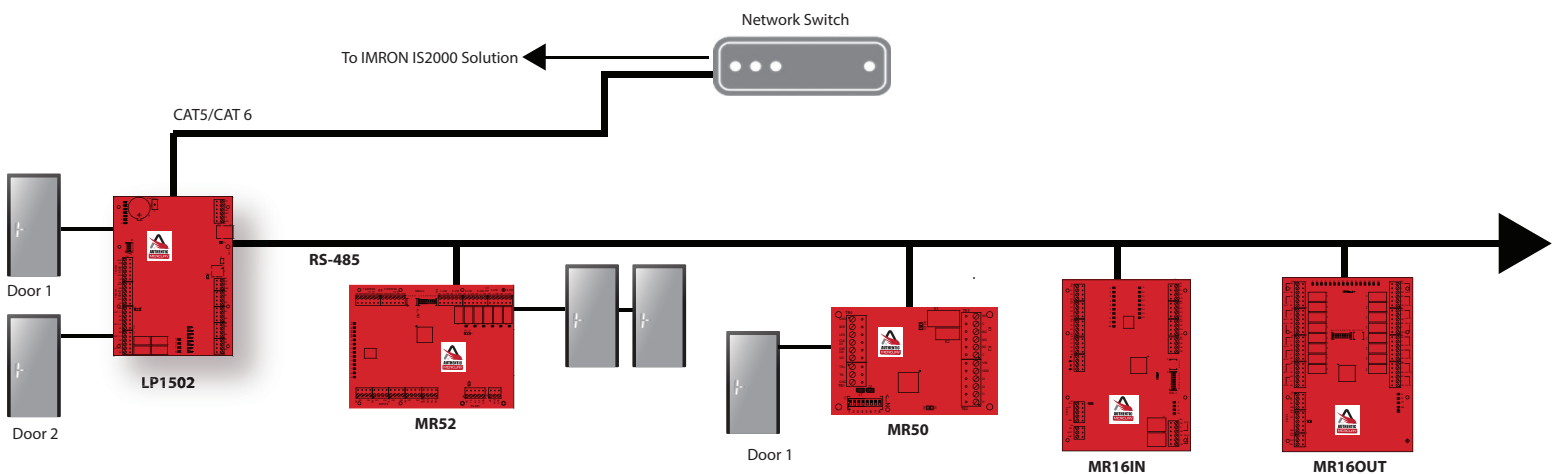
The LP2500 is a powerful intelligent controller with native network support and is scalable to 64 doors/openings. Built on the Authentic Mercury platform, the intelligent controller uses an on-board Ethernet port to connect to cloud or server-based applications of IMRON's IS2000 solutions. The intelligent controller performs access control, alarm management and scheduled operations -- all in single package.

Capable of elaborate processes and procedures without host intervention, the intelligent controller, once programmed, can function independently of the host. System configuration and setup are provided through IMRON's IS2000 solutions.

With a comprehensive and open access control platform, and a reliable hardware platform running in a secure environment, the LP2500 is the clear solution. It delivers a complete security and access control solution as well as innovative application extensions, interoperability and data security

Specifications	
Access Control	600,000 cardholder capacity 50,000 transaction buffer Supports up to 2 RS-485 IO protocols 255 access levels per cardholder Cardholder - 19 Digit (64 Bit) User ID with 15 digit PIN MAX Activation/Deactivation If/Then macro capabilities Anti-passback support Nested, area, hard, soft and timed forgiveness Adjustable cardholder capacity Supports up to 1024 inputs and 1024 outputs
Door Control	Natively does not support any readers or openings Use in conjunction with IO expansion modules to support up to 64 readers and openings
General	
Primary Power	12 to 24 Vdc ± 10%, 250 mA maximum (USB port current not included)
Micro USB Port	5 Vdc, 500 mA maximum (add 270 mA to primary power current)
Battery	Memory/ Clock Backup: 3 Volt Lithium, type BR2330 or CR2330
microSD Card	Format: microSD or microSDHC; 2GB to 8GB
Host Comm.	Ethernet: 10-BaseT/100Base-TX and Micro USB port (2.0) with optional adapter: pluggable model USB2-OTGE100
Serial I/O Device	Two each: 2-wire RS-485, 2,400 to 115,200 bps, asynchronous, half-duplex, 1 start bit, 8 data bits, and 1 stop bit
Inputs	Two unsupervised dedicated for cabinet tamper and UPS fault monitoring

Specifications	
Cable Requirements	
Power and Relays	1 twisted pair, 18 to 16 AWG
Ethernet	CAT-5, minimum
RS-485	1 twisted pair, shield, 120 ohm impedance, 24 AWG. 4,000 ft. (1,219 m) maximum cable length
Environmental	
Temperature	-55 to 85 °C storage, 0 to 70 °C operating
Humidity	5 to 95% RHNC
Mechanical	
Dimensions	5 in. (127 mm) W x 6 in. (152.4 mm) L x 1 in. (25 mm) H
Weight	4.1 oz. (115 gm) nominal, board only
Compliance and Warranty	
Product Compliance	UL294 Recognized, FCC Part 15 Class A, CE Compliant, RoHS, NIST Certified Encryption
Warranty	Mercury Security warrants the product is free from defects in material and workmanship under normal use and service with proper maintenance for one year from the date of factory shipment.



The Authentic Mercury open platform delivers quality assurance derived from the most proven and reliable hardware in the industry. Driven by our engineering excellence and technology leadership, Authentic Mercury hardware is designed as an access control platform that easily encompasses emerging technologies, changing industry standards and evolving system environments. Make yours Authentic, Make sure its Merc.